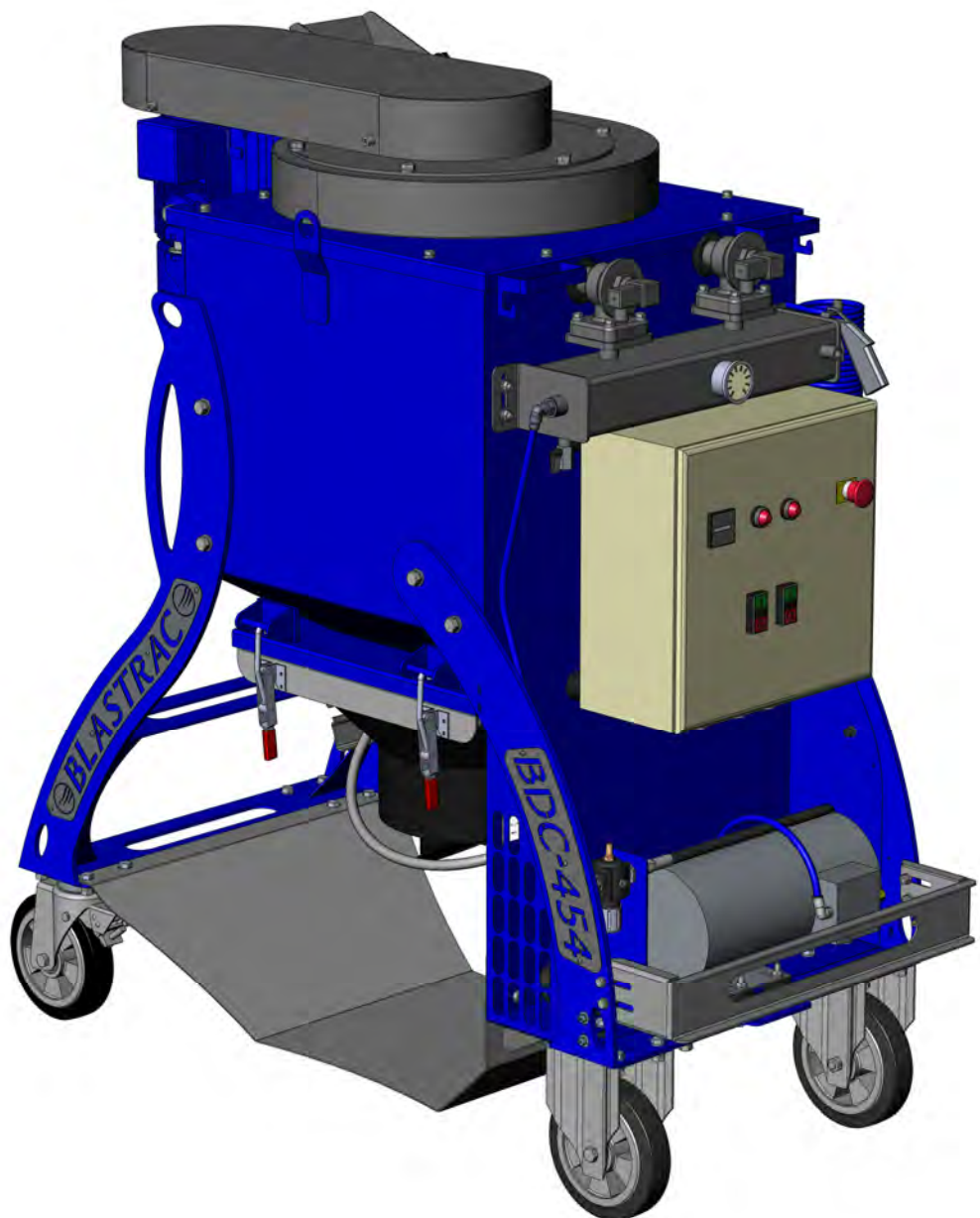




BDC-454

Version 1.0



EC DECLARATION OF CONFORMITY

in accordance with Appendix II sub A of Directive 2006/42/EC

BLASTRAC B.V.

Utrechthaven 12
NL - 3433 PN NIEUWEGEIN
Tel: 0031 (0)30 601 88 66
Fax: 0031 (0)30 601 83 33
Info@Blastrac.nl
The Netherlands

Declare under our sole responsibility that the machine as described below
Conforms with the Health and Safety requirements of the European Directive
of the machine Safety.

In case of changes to the machine without our written authorization this declaration loses
its validity.

Model: *BLASTRAC BDC-454* **Serial number:**

1. satisfies the conditions set out in the Machine Directive (Directive 2006/42/EC);
Low voltage directive (2006/95/EC, as last amended; EMC directive 2004/108/EC,
as last amended)
2. satisfies the following harmonized standards:
NEN-EN 349, NEN-EN 418, NEN-EN 294 and NEN-EN 60204

Nieuwegein



Michiel Kalisvaart



Index

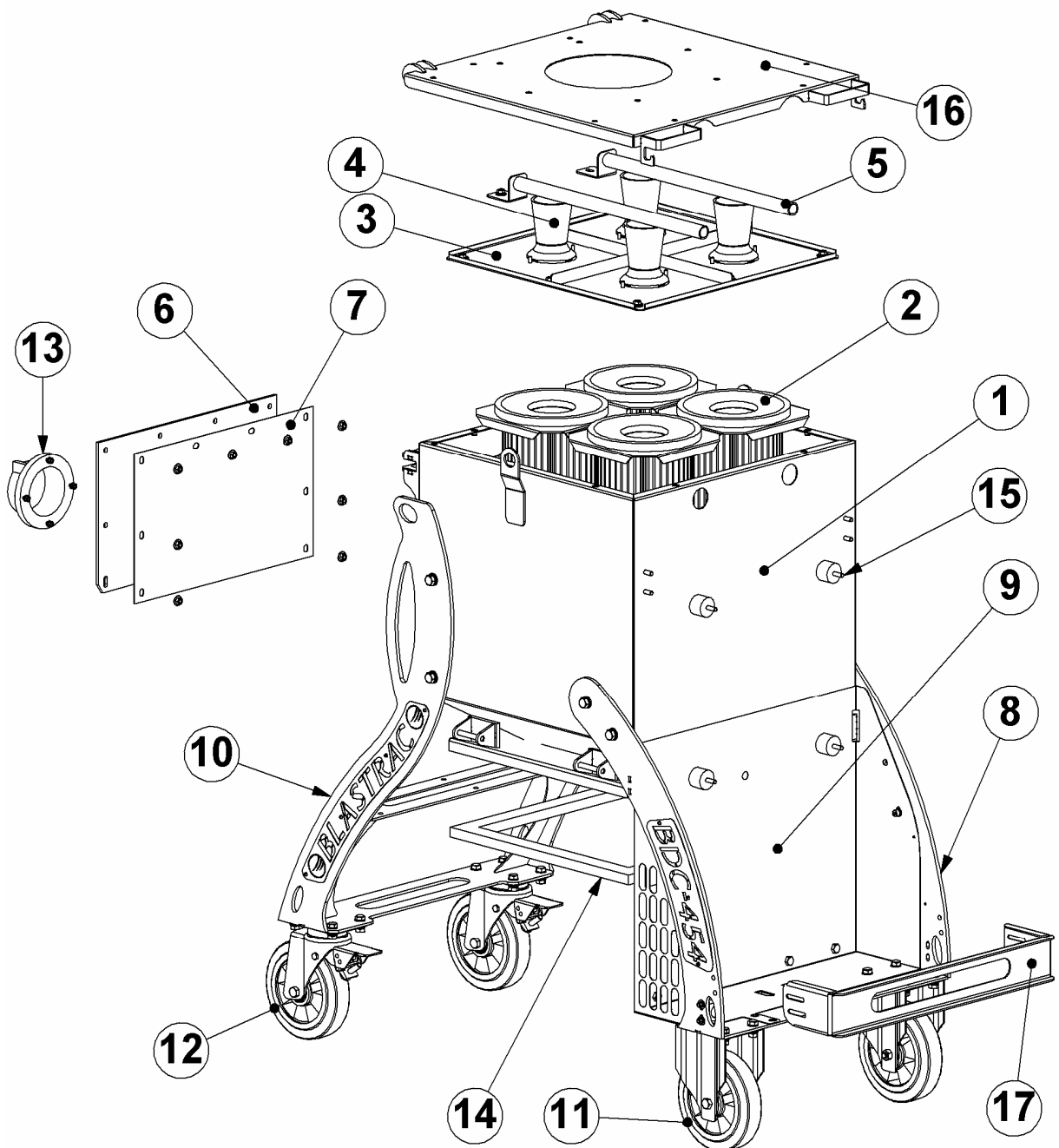
1. Spare parts 04

2. Electrical diagrams

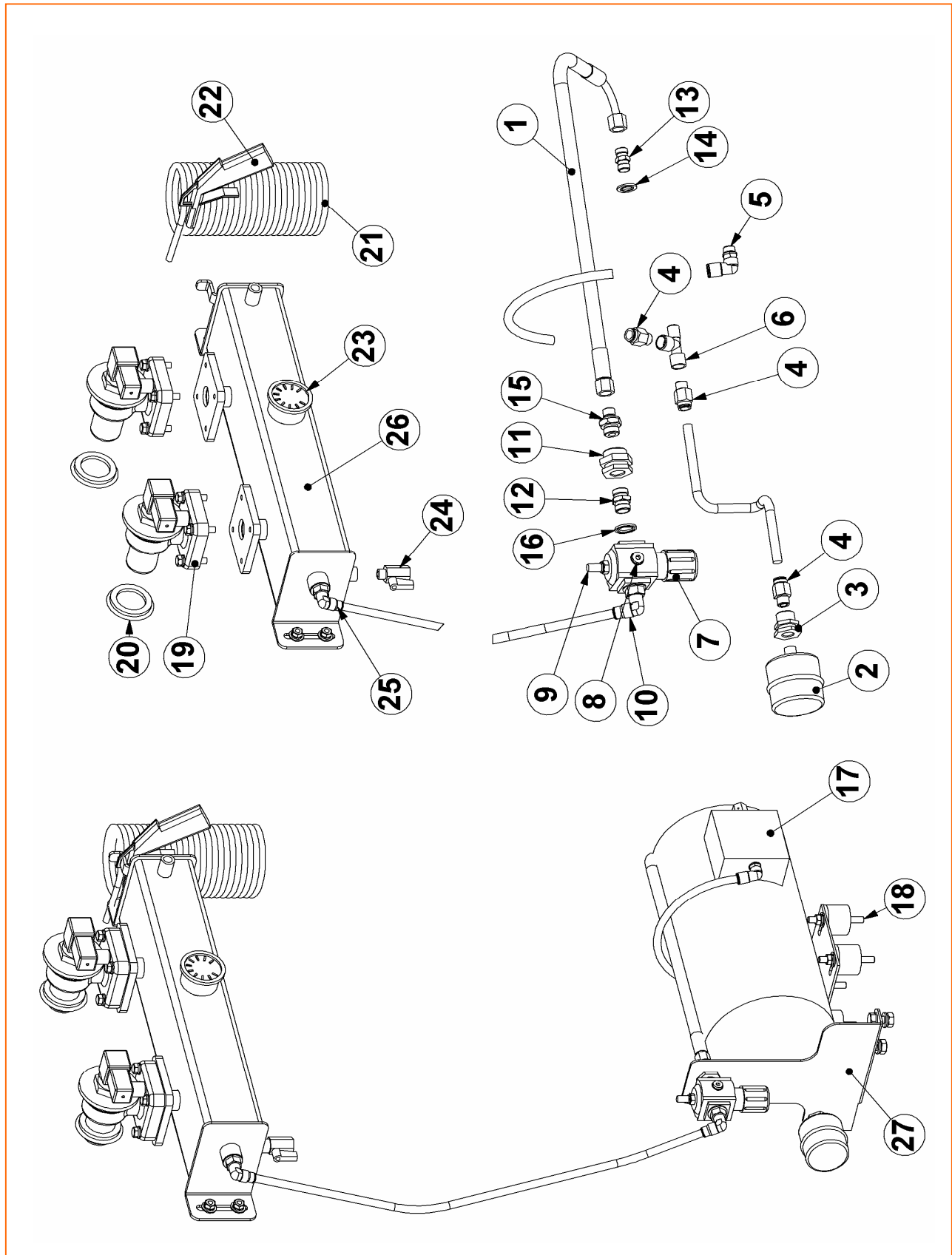
Contact



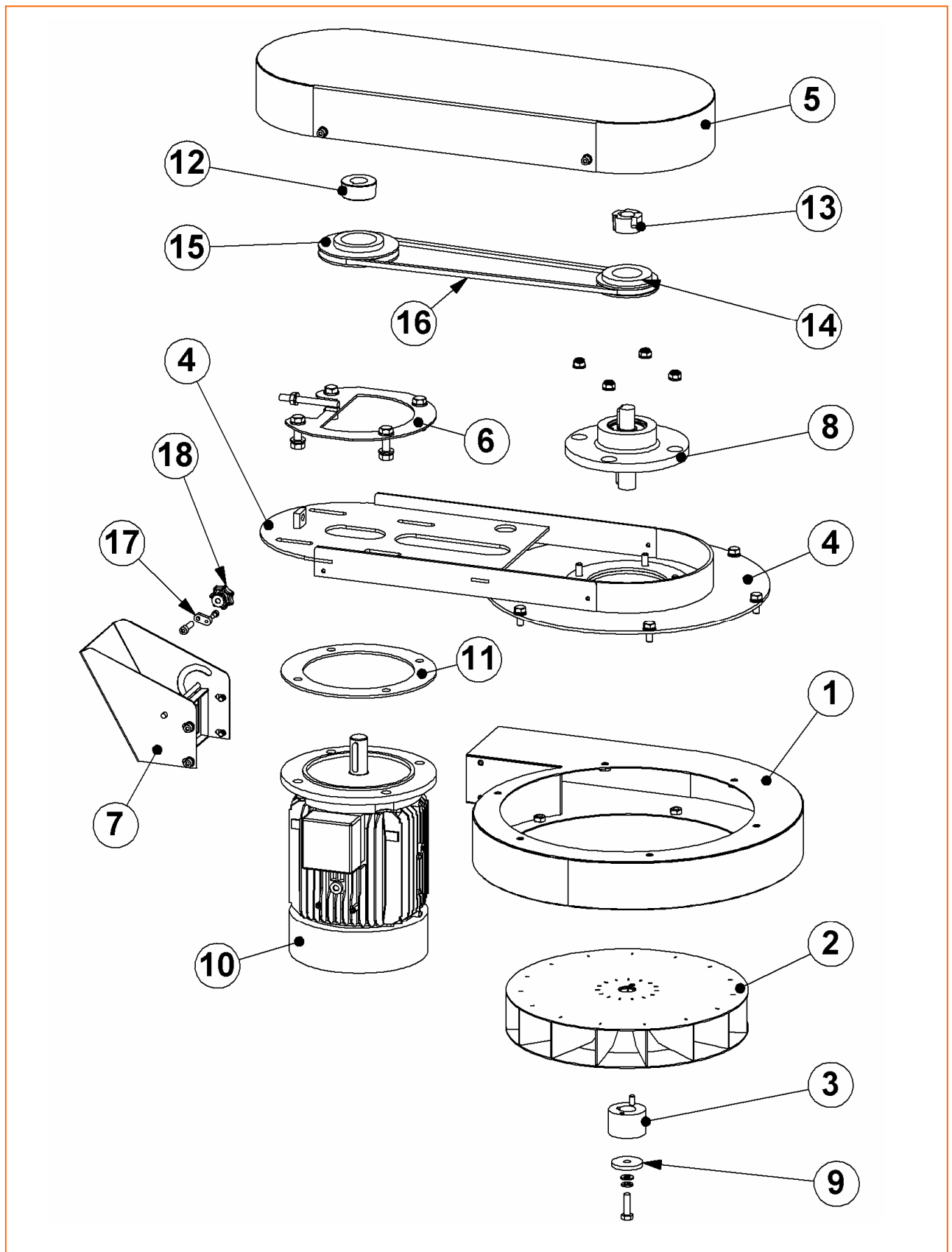
1. Spare parts



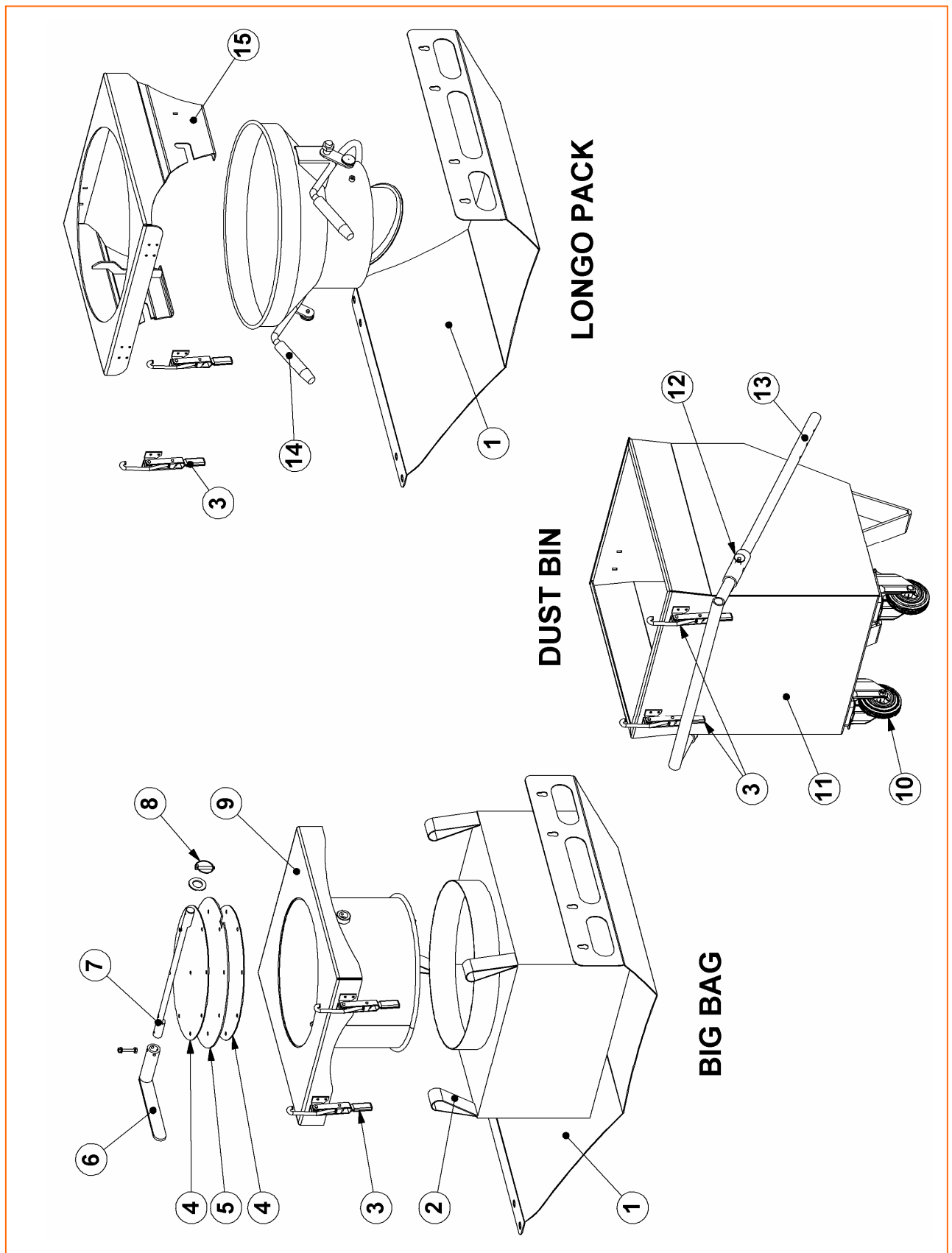
Item	Part number	Description	Qty.
1	E07194	Filter House	1
2	E10218	Cartridge	4
3	E07149	Cover in filterhouse	1
4	E14028	Venturi	4
5	E07626	Pulse tube	2
6	E04722	Rubber impact plate	1
7	E07143	Filters secure plate	1
8	E07642	Front legs	1
9	E07608	Compressor cover	1
10	E07641	Back legs	1
11	E06876	Wheel	2
12	E06875	Castor wheel	2
13	K950171	Connector kit BDC4-54	1
14	E01309	Adhese rubber 40x20	2 m
15	999-9107	Shock absorber A40-30	8
16	E07140	Top cover	1
17	E07646	Compressor protection plate	1



Item	Part number	Description	Qty.
1	E07586	Hydr. Hose 1/4" met 1/4" fem.swivel straight	1
2	E06935	Filter FS-04-025	1
3	E03158	PANEL MOUNT.CONN. 1/4x M20	1
4	E00674	Hose conn.straight 10x1/4"mbsp	3
5	E06923	Adaptor knee 10mm x 1/4" mbsp, swivel	1
6	E03215	T-nipple F-F-M 1/4"	1
7	E06948	Pressure valve V72G-3GK-NMN	1
8	E06968	Plug 1/8"	2
9	E00034	Reduction silencer 1/4"	1
10	E04620	ADAPTOR KNEE 10x3/8"	1
11	E01927	PANEL MOUNT.CONN. 1/4x M20	1
12	E07588	Adapter straight 3/8" x 3/8" steel	1
13	E07585	Adapter male 1/4" BSP straight x male 1/4"	1
14	E06972_1	Bonded seal 1/4"	1
15	E07587	Adapter Straight 3/8"x 1/4" steel	1
16	E06970_1	Bonded seal 3/8"	1
17	E06933	TA6102-270044 thomas compressor	1
18	999-9107	Shock absorber A40-30	4
19	E04567	AIR VALVE	2
20	E04568	FILTER HOUSE SEAL	2
21	DA--9290.2	AIRHOSE 6 MM. L 5 MTR.	1
22	DA--9290.1	AIRPISTOL	1
23	E10349	MOUNTING MANOMETER	1
24	E14003	Mini ball valve 1/4" m/f bsp	1
25	B20057	ADAPTOR KNEE 10x1/2"	1
26	E07141	Air tank 4-54 DC	1
27	E07647	Mounting plate water separator 4-54 DC	1



Item	Part number	Description	Remarks	Qty.
1	E07501	Fan housing		1
2	E07439	Fan impeller high speed		1
3	E06965	Fan hub		1
4	E07507	fan housing top plate		1
5	E07070	Belt guard		1
6	E07067	Tension plate		1
7	E07508	Deflector 454		1
8	E07594	BU fan unit		1
9	E03195	Ring fan		1
10	E06360	5,5kW / 3000RPM		1
11	E07069	Fill up ring fan motor		1
12	976657	Taperlock 1610-28		1
13	E07524	TL1210-25		1
14	E07584	1SPZ95-1210	60Hz	1
	E07559	1SPZ90-1210	50Hz	1
15	500-2469	125 SPZ1 1610	60Hz	1
	E07583	140 SPZ1 1610	50Hz	1
16	E07561	XPZ-1270		1
17	E06998	Slide plate		1
18	000213	Clamp knob		1



Item	Part number	Description	Qty.
1	E07610	Bottom plate	1
2	E06311	Dust bag	1
3	483551	Clamp	2
4	E04623	Valve plate	2
5	E04624	Rubber plate valve	1
6	E07703	Valve handle	1
7	E04622	Valve axle	1
8	BE0116	Linch pin	1
9	E07627	Big bag bracket	1
10	E06887	Wheel	2
11	E07621	Dust bin	1
12	478198	Quick release pin	2
13	E07623	Handle bracket	1
14	CF4056000468	Longo pack discharge kit	1
15	E07628	Longo pack bracket	1

Headquarter

*Blastrac BV The Netherlands
Utrechthaven 12
NL - 3433 PN Nieuwegein
Tel: 0031 (0)30 601 88 66
Fax: 0031 (0)30 601 83 33
info@blastrac.nl*

*Blastrac United Kingdom
Unit 2, Outgang Lane, Dinnington
Sheffield, South Yorkshire
GB – S25 3QU, England
Tel: 0044 (0) 1909 569 118
Fax: 0044 (0) 1909 567 570
info@blastrac.co.uk*

*Blastrac France
ZI
29, Avenue des Temps Modernes
F – 86360 Chasseneuil du Poitou
Tel: 0033 (0)5 49 00 49 20
Fax: 0033 (0)5 49 00 49 21
info@blastrac.fr*

*Blastrac Spain
Calle Copernico, 16
Nave 2
E – 28820 Coslada
Tel: 0034 91 660 10 65
Fax: 0034 91 672 72 11
info@blastrac.com.es*

*Blastrac Germany
Mathias Brüggén Straße 144
D – 50829 Köln (Ossendorf)
Tel: 0049 (0) 221 70 90 32 0
Fax: 0049 (0) 221 70 90 32 22
info@blastrac.de*

*Blastrac Poland
Golina, Dworcowa 47a
63-200 Jarocin
Tel: 0048 62 740 40 27
Fax: 0048 62 740 40 27
info@blastrac.pl*

